



January 19, 2016

Dear Cottrell Equipment Owner:

Please find enclosed Service Bulletin #SB020 which contains instructions for front upper deck reinforcement of the CX-5307XLS, CX-5308, and CX-5308LT.

Our records indicate that you are the current owner of a Cottrell Trailer (or multiple trailers) that may be affected by Service Bulletin # SB020. The serial number(s) of your trailer(s) are indicated on the enclosed sheet. If you no longer own the trailer(s) identified on the enclosed sheet, please email the new owner information to Austin Peal email below:

Apeal@cottrelltrailers.com  
Attn: Technical Publications

The Cottrell Service Center (800-827-0132), Authorized Cottrell Dealers, or any Authorized Cottrell Warranty Repair Facility may perform the repair for you. You can access a list of these facilities at [www.cottrelltrailers.com](http://www.cottrelltrailers.com) under Find a Dealer, then search Authorized Warranty Repair Centers.

Cottrell will reimburse a maximum of 9 hours of labor or a maximum invoice of \$700 per trailer modified for the work associated with SB020. SB020 will contain 1 repair kit, paint, and non-skid to perform the repairs for this service bulletin. Requests for reimbursement can be submitted with receipt to the above email address or handled directly through the repair facility under normal procedures.

Please read Service Bulletin #SB020 and have the modification completed as soon as possible according to the instructions provided. This Service Bulletin shall remain open for one (1) calendar year.

Should you have any questions concerning this bulletin, please contact Cottrell or your Authorized Cottrell Dealer.

Sincerely,  
Austin Peal / Warranty Coordinator  
Apeal@cottrelltrailers.com  
800-827-0132 Ext. 313



January 19, 2016

Service Bulletin #SB020

**Subject: Front Upper (FU) Deck Reinforcement - CX-5307XLS, CX-5308, and CX-5308LT**

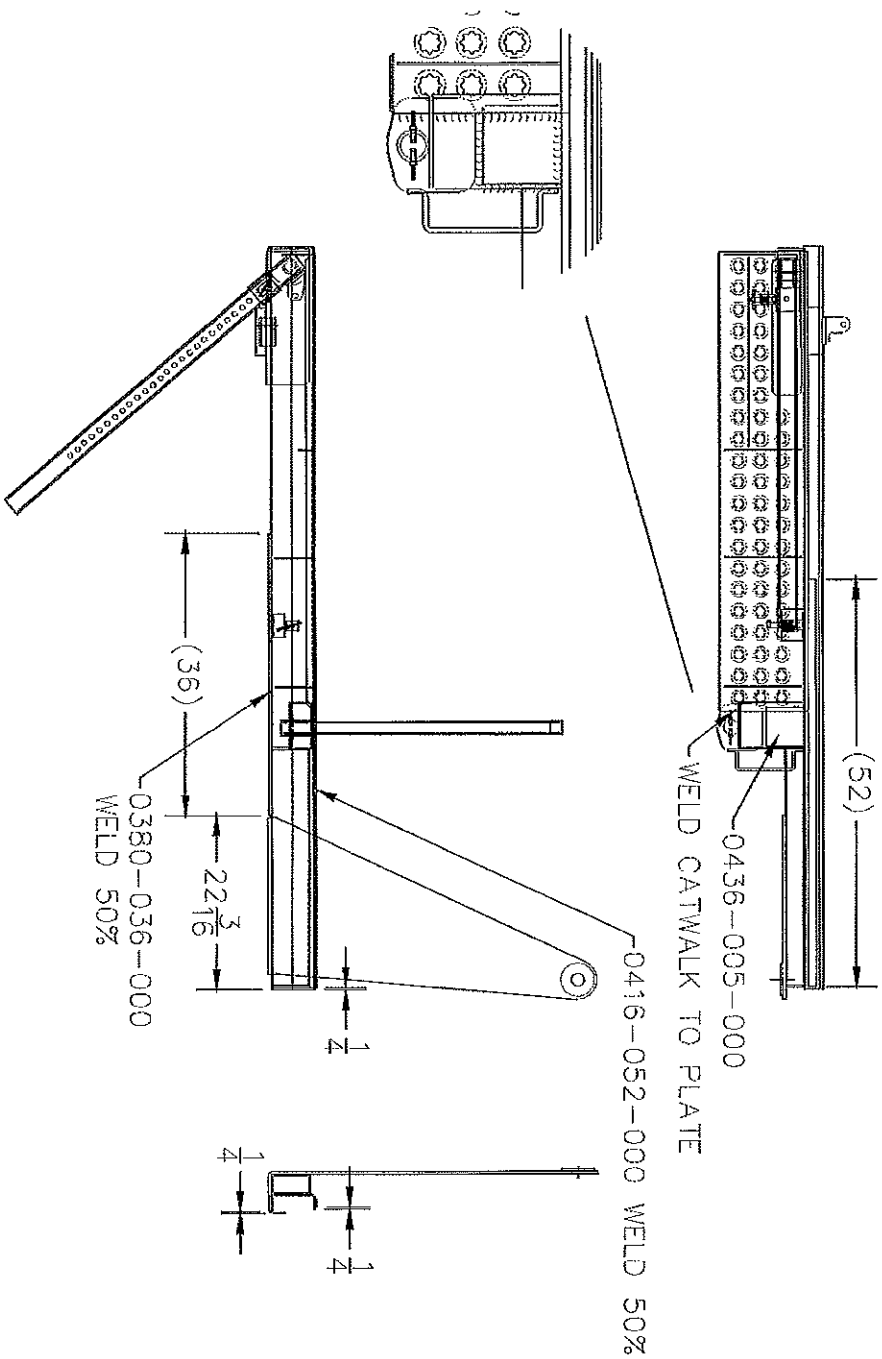
**Models Affected: Units listed in enclosed document**

**Please be aware there are two different FU Reinforcement kits depending on when trailer was manufactured.**

**Instructions:**

1. Call Cottrell for reinforcement kit to be sent to Cottrell Authorized Service facility or to you.
2. Take unit to a Cottrell Authorized Service facility.
3. Have service facility install correct kit per drawings provided.
4. Weld FU reinforcement kit on both sides of trailer as shown per drawing
5. Apply non-skid to newly installed parts and reworked areas, pertaining to the installation of the FU reinforcement kit.
6. Have service facility touch up reworked areas

ECO NUMBER	ZONE	REV	REVISION-DESCRIPTION	DATE	BY	CHECKED



THE INFORMATION CONTAINED IN THIS DRAWING IS THE SOLE PROPERTY OF COTTRELL, INC. ANY REPRODUCTION OR USE OF THIS INFORMATION WITHOUT THE WRITTEN PERMISSION OF COTTRELL, INC. IS PROHIBITED.

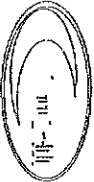
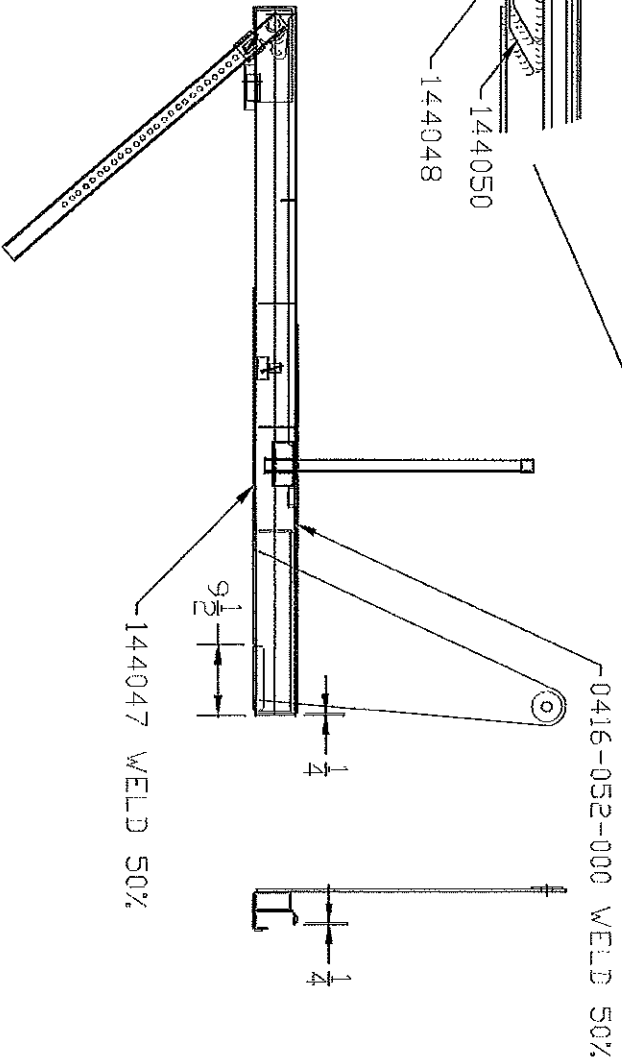
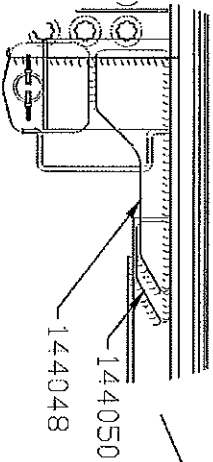
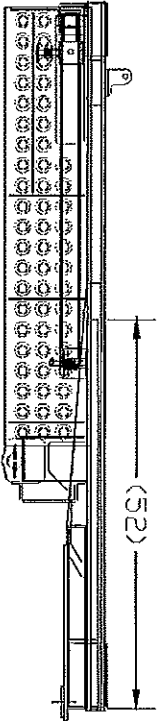
STANDARD TOLERANCES UNLESS OTHERWISE NOTED  
 DECIMALS: ± .010  
 FRACTIONS: ± .005  
 ANGLES: ± .010

ORIG. BY: DST	PROG. NO. —	MATERIAL —	MATERIAL DESCRIPTION —	SIMILAR TO —	SCALE 1:1
ORIG. DATE: 11/2/15	PROG. BY: —	MATERIAL FROM —	PART YIELD —	DWG. NO. —	SIZE A
CHK. BY: —	PROG. DATE —	FINISH —	WEIGHT —	PART NO. 143976	REV IR
CHK. DATE: —	TITLE: FU SLIDER REINFORCEMENT			PART NO. 143976	SHEET OF 1

143976

KIT FU1 5308 REINFORCEMENT FOR 9002-406 REV1

ECO NUMBER	ZONE	REV	REVISION-DESCRIPTION	DATE	BY	CHECKED
-						



THE INFORMATION CONTAINED IN THIS DRAWING IS THE SOLE PROPERTY OF COTTRILL, INC. ANY REPRODUCTION OR USE OF THIS INFORMATION WITHOUT THE WRITTEN PERMISSION OF COTTRILL, INC. IS PROHIBITED.

STANDARD TOLERANCES UNLESS OTHERWISE NOTED  
 DIMENSIONS: INCHES  
 DECIMALS: ± .000  
 FRACTIONS: ± .000  
 ANGLES: ± .010

DESIGNED BY:	PROG. NO.	MATERIAL	MATERIAL DESCRIPTION	SIMILAR TO	SCALE
AST	-	-	-	-	1:1
DRG DATE:	PROG. BY	MAKE FROM	PART YIELD	DWG. NO.	SIZE
11/6/15	-	-	-	F\9002\406.DWG	A
CHK. BY:	PROG. DATE	FINISH	WEIGHT	PART NO.	REV
-	-	-	-	144043	IR
CHK. DATE:	TITLE	FU SLIDER ASSY			
-	-				

4

3

2

1

SHEET : OF 1

144043

KIT FU1 5308 REINFORCEMENT FOR 9002-406 REV2